



1.7 cu. ft. Over the Range Convection Microwave Oven

- 1.7 cu. ft. Oven Capacity
- Convection Technology
- SmoothTouch™ Glass Controls
- 950 Watt Microwave Power
- 1,650 Watt Convection Power
- Sensor Cooking
- 10 Power Levels
- 6 Auto Cook Options
- 300 CFM Exhaust Fan
- Stainless Steel Interior
- Halogen Lighting
- Rack for 2-Level Cooking



COLOR AVAILABILITY

- LMVH1711ST – Stainless Steel

COOKING FEATURES

Oven Capacity	1.7 cu. ft.
Microwave Power Output	950 W
Convection Power Output	1,650 W
EasyClean® Interior	No
Sensor Cook Options	Yes
Power Levels	10
Defrost	Auto
Sensor Reheat	Yes
Auto Cook Options	6
Custom Settings	Yes

CONVENIENCE FEATURES

Control Type	Membrane
Turntable Diameter	13.5"
Metal Rack	Yes
Clock	Yes
Kitchen Timer	Yes
Completion Beeper	Yes
Turntable On/Off	Yes
Add 30 Seconds	Yes
Energy Savings Key (Turns Off LED Display)	No
Exterior Lighting	50W Halogen
Interior Lighting	50W Halogen
Child Lock	Yes

VENTING SYSTEM

ExtendaVent™ (slide-out)	No
Filtration	Charcoal Filter
Exhaust Grease Filters	2
Power Levels	2
Vent Grille Type	Hidden
Vent Air Flow	300 CFM
Venting Options	Roof, Wall, Room

SMART FEATURES

Wi-Fi Enabled	No
ThinQ®	No
SmartDiagnosis™	No

APPEARANCE / MATERIALS / FINISHES

WideView™ Window	Yes
Interior Color	Stainless Steel
Clock Display Color	White

TECHNICAL SPECS

Required Power Supply	120V, 60 Hz
Minimum Circuit Rating	15 Amp
Plug Type	3-Prong

INCLUDED ACCESSORIES

Glass Turntable, Metal Rack

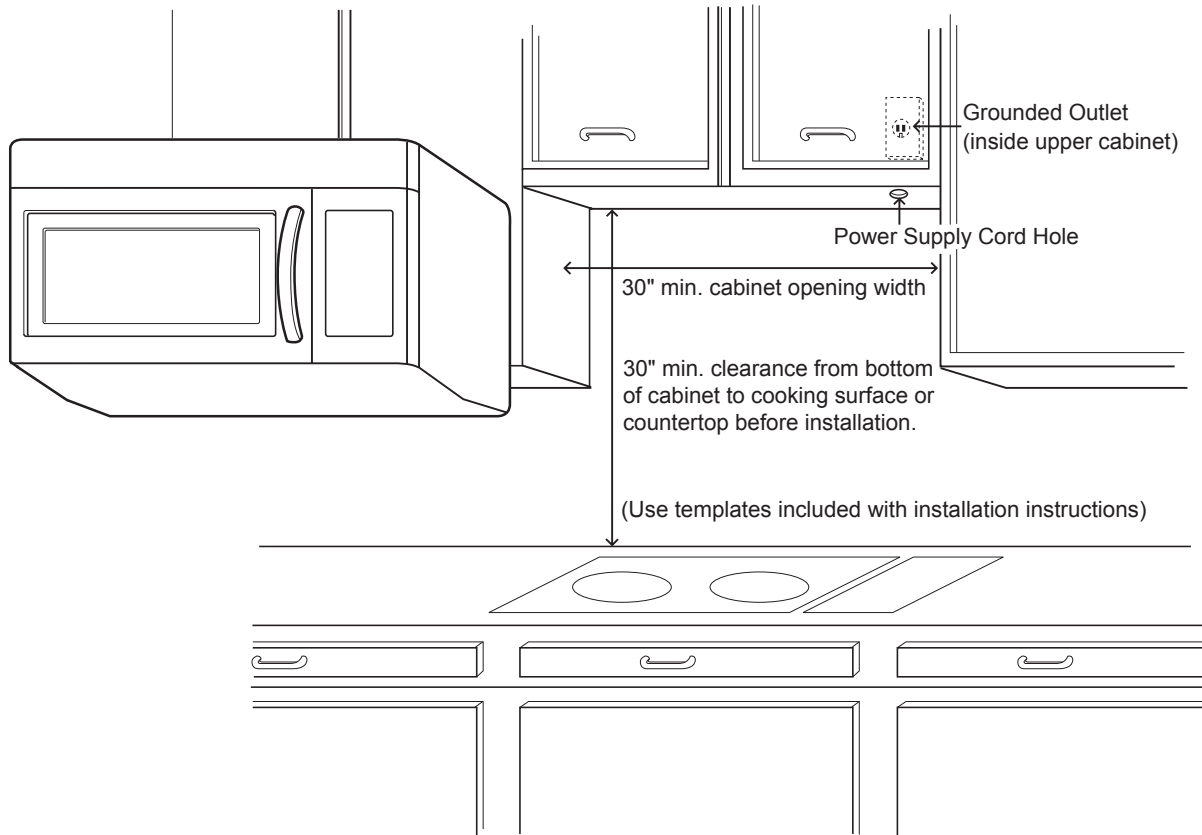
DIMENSIONS / CLEARANCES / WEIGHT

Product Dimensions (W x H x D)	29 15/16" x 16 7/16" x 15 3/8"
Oven Interior Dimensions (W x H x D)	21 1/4" x 9 7/16" x 14 3/16"
Cut-out Dimensions (W x D)	30" x 13"
Minimum Distance from Cooking Surface	30"
Carton Dimensions (W x H x D)	33" x 20" x 18 13/16"
Approx. Weight (Product / Carton)	69 lbs. / 79 lbs.

LIMITED WARRANTY

Parts and Labor	1 Year
Magnetron	10 Years

DIMENSIONS / CLEARANCES



- MAKE SURE YOU HAVE ENOUGH SPACE AND SUPPORT.
 - Mount the oven against a flat, vertical wall, so it is supported by the wall. The wall should be constructed of minimum 2" x 4" wood studding and 3/8" thick drywall or plaster/lath.
 - Attach the two lag screws supporting the oven to a vertical, 2" x 4" wall stud.
 - DO NOT mount the microwave oven to an island or peninsula cabinet.
 - BE SURE the upper cabinet and rear wall structures can support 150 lbs., plus the weight of any items you place inside the oven or upper cabinet.
 - Locate the oven away from strong draft areas, such as windows, doors, and strong heating vents.
 - BE SURE you have enough space. See drawing above for minimum vertical and horizontal clearance.
 - **WARNING:** If you do not mount the oven as instructed, you risk personal injury and/or property damage